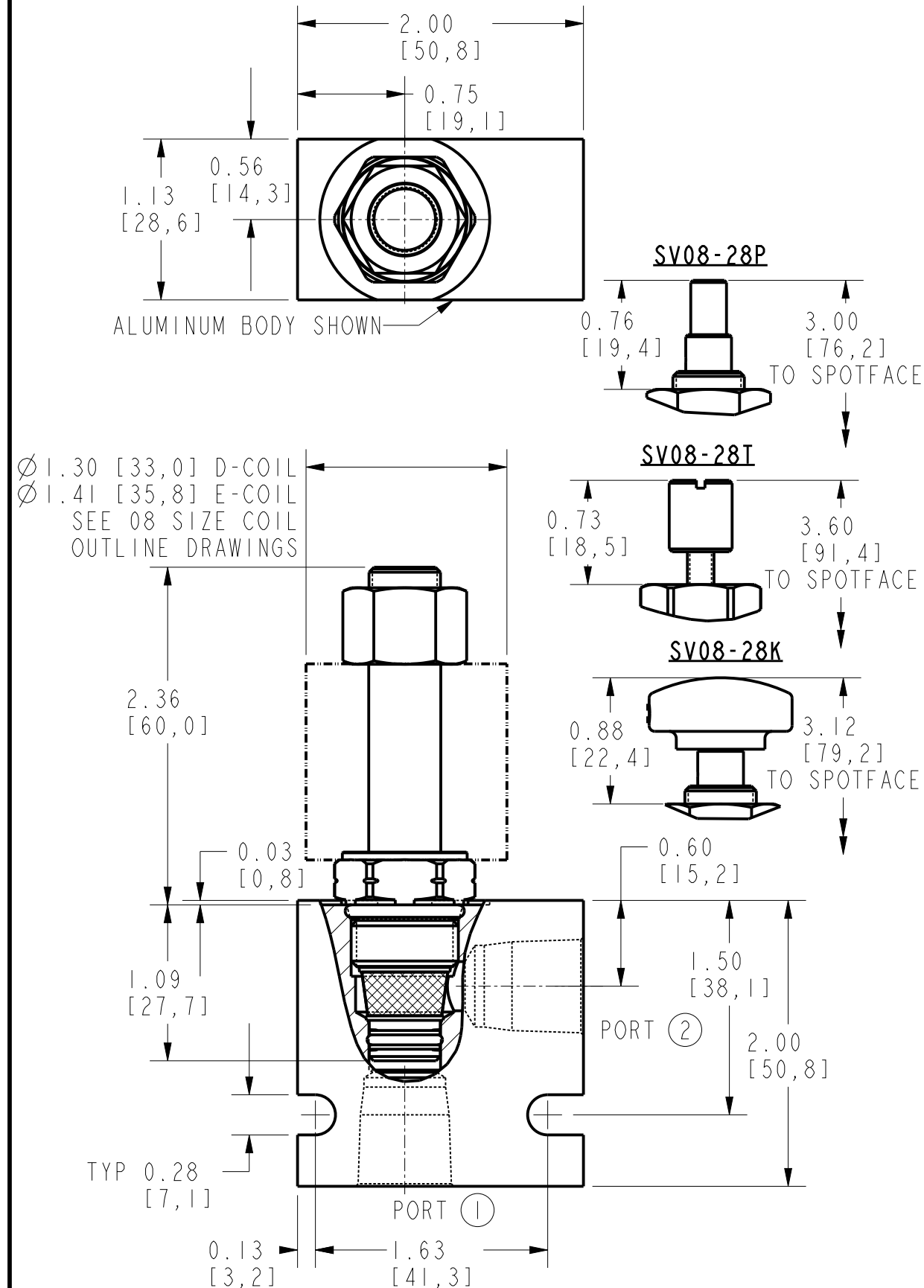


INCH
[mm]

OUTLINE



Ø 1.30 [33,0] D-COIL
Ø 1.41 [35,8] E-COIL
SEE 08 SIZE COIL
OUTLINE DRAWINGS

ALL DIMENSIONS ARE FOR REFERENCE ONLY.

ORDERING INFORMATION

SV08-28XX-X-X-XXXX

BASE MODEL NUMBER

VERRIDE OPTION

NONE - BLANK
PUSH BUTTON - P
KNOB - K
THREADED ADJUSTMENT - T

SCREEN OPTION

NONE - BLANK
SCREEN OPTION - S

PORTING

CARTRIDGE ONLY - 0

SEAL OPTIONS

BUNA N - N
FLUOROCARBON - V
POLYURETHANE - P

COIL VOLTAGE

LESS COIL - 0
12 VDC COIL - 12
24 VDC COIL - 24

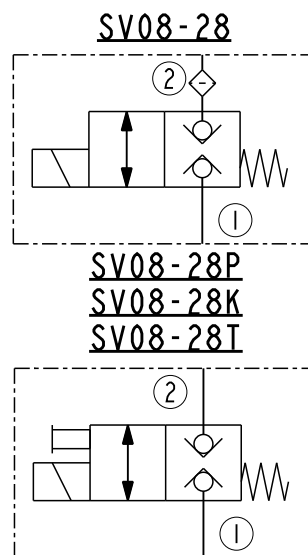
COIL TERMINATIONS

E-COIL OPTIONS:
METRI-PACK CONNECTOR - EY
DEUTSCH CONNECTOR - ER

D-COIL OPTIONS:

(2) LEADWIRES 18"
STANDARD LENGTH - DL
DUAL SPADES SAE J858a - DS
DIN 43650 - DG

(CONSULT FACTORY OR CATALOG
FOR OTHER AVAILABLE OPTIONS)



(REFERENCE ALL SHEETS)

THIRD ANGLE PROJECTION

SCALE: --- -

THIS INFORMATION HEREON IS THE PROPERTY OF HYDRAFORCE INC. AND/OR ITS SUBSIDIARIES AND IS LOANED SUBJECT TO RETURN UPON DEMAND. IT IS NOT TO BE REPRODUCED OR USED DIRECTLY OR INDIRECTLY IN ANY WAY DETRIMENTAL TO THE INTERESTS OF HYDRAFORCE

DESCRIPTION & SPECIFICATIONS

DESCRIPTION:

A SOLENOID-OPERATED, 2 PORT, NORMALLY CLOSED DIRECT ACTING, POPPET TYPE SCREW-IN HYDRAULIC CARTRIDGE VALVE, DESIGNED FOR LOW LEAKAGE BLOCKING AND LOAD-HOLDING APPLICATIONS.

OPERATION:

WHEN DE-ENERGIZED, THE SV08-28 BLOCKS FLOW IN BOTH DIRECTIONS. WHEN ENERGIZED, THE POPPET OPENS THE VALVE BI-DIRECTIONALLY.

SPECIFICATIONS:

OPERATING PRESSURE: 3625 psi [250 bar]
PROOF PRESSURE: 10000 psi [690 bar]
BURST PRESSURE: 20000 psi [1379 bar]
FLOW RATING: 5 gpm [18,9 lpm] MAX
SEE PERFORMANCE GRAPHS ON SHEET 2 FOR SHIFTING LIMITS
MAX. INTERNAL LEAKAGE: 5 drops/min.
OPERATING FLUID TEMPERATURE:
-40°F TO 212°F [-40°C TO 100°C] (BUNA - N)
-15°F TO 400°F [-26°C TO 204°C] (FLUOROCARBON)
-65°F TO 225°F [-54°C TO 107°C] (POLYURETHANE)
STORAGE TEMPERATURE: -40° F TO 160° F [-40° C TO 70° C].
AMBIENT TEMPERATURE: -40° F TO 194° F [-40° C TO 90° C].
FLUIDS: MINERAL BASED OR SYNTHETIC HYDRAULIC FLUID WITH LUBRICATING PROPERTIES.
FLUID VISCOSITY RANGE: 7.4 TO 420 cSt.
MAXIMUM OPERATING CONTAMINATION LEVEL: 18/16/13 PER ISO 4406.

CARTRIDGE WEIGHT: 0.40 lb [0.18 kg]

INTERNAL WETTED SURFACE AREA: 18.6 in² [120 cm²] (SV08-28)

SEAL KIT: SK08-2X-M (X = SEAL MATERIAL)

INSTALLATION SPECIFICATIONS:

CAVITY: VC08-2
CARTRIDGE TORQUE: 19-21-ft-lb [25,8-28,5 N-m]
COIL NUT TORQUE: 4-5 ft-lb [5,4-6,8 N-m]
ORIENTATION RESTRICTIONS: NONE.



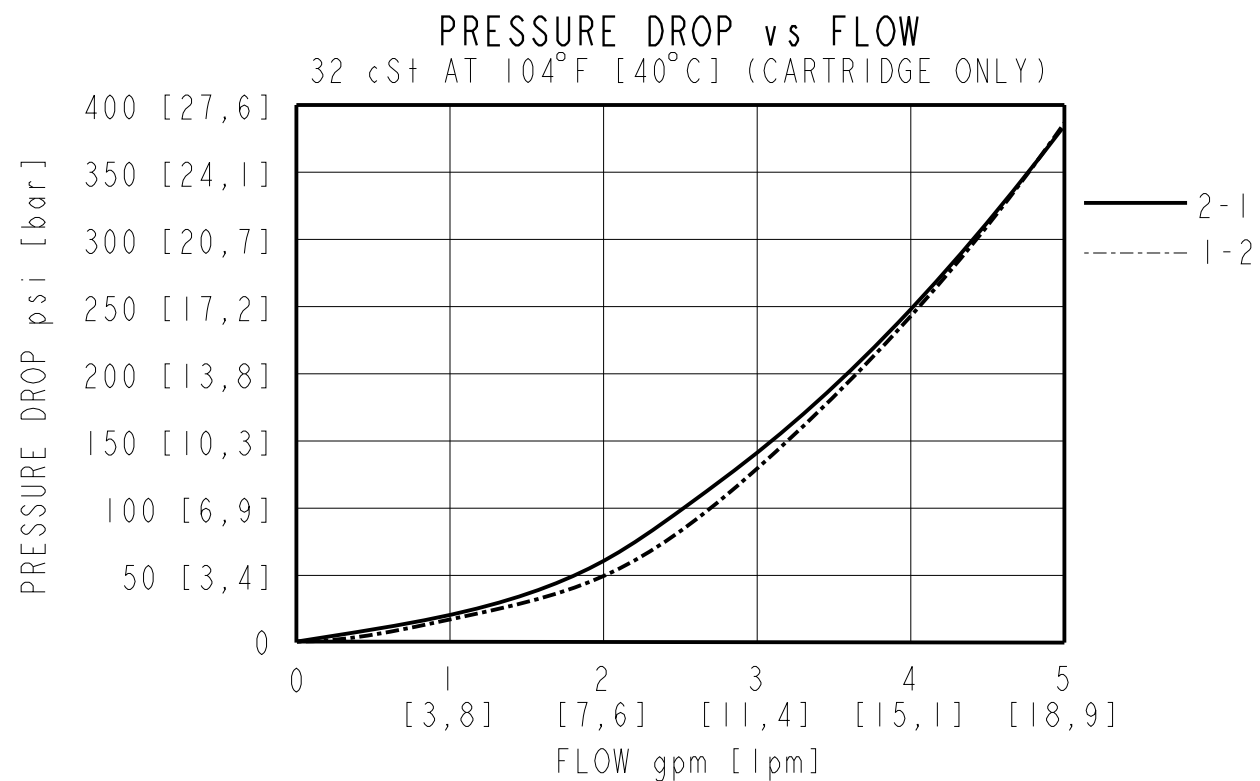
DESCRIPTION
**SOLENOID CARTRIDGE VALVE
2 PORT, NORMALLY CLOSED
BIDIRECTIONAL BLOCKING**

DRAWING NUMBER
SV08-28XX-0-X-XXXX

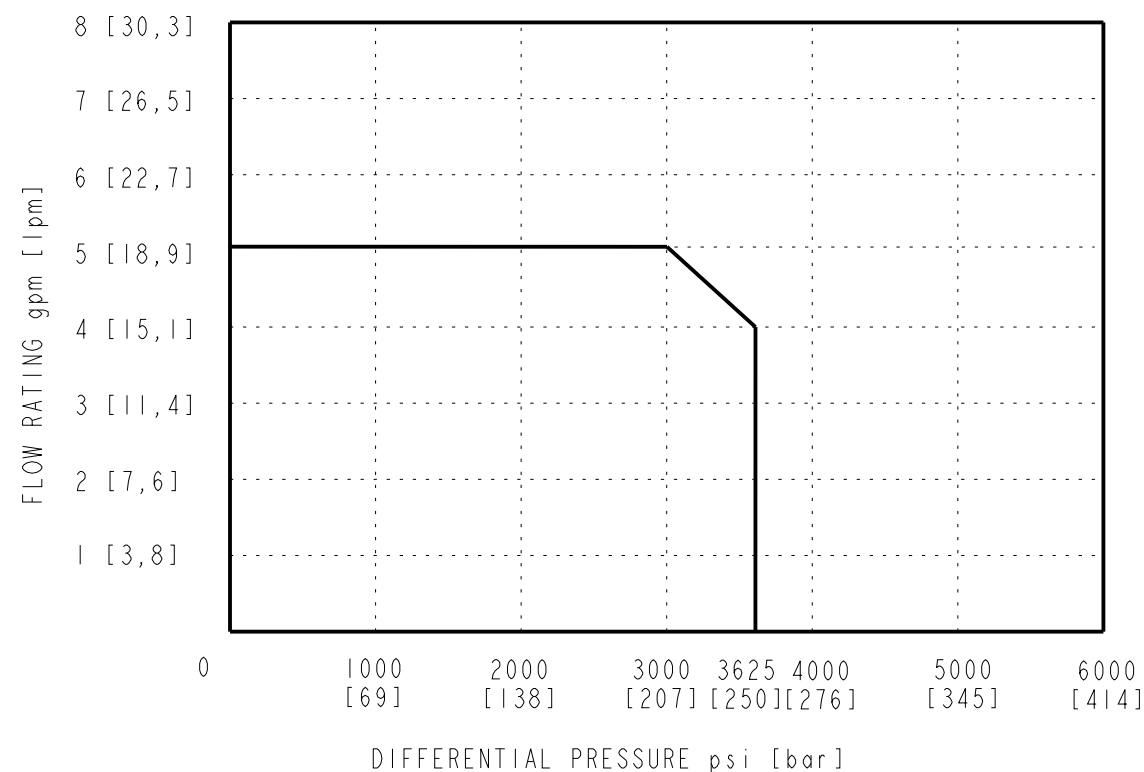
SHEET 1 OF 2

REV
ECN 0056163
BY CM2
DATE 29SEP2021

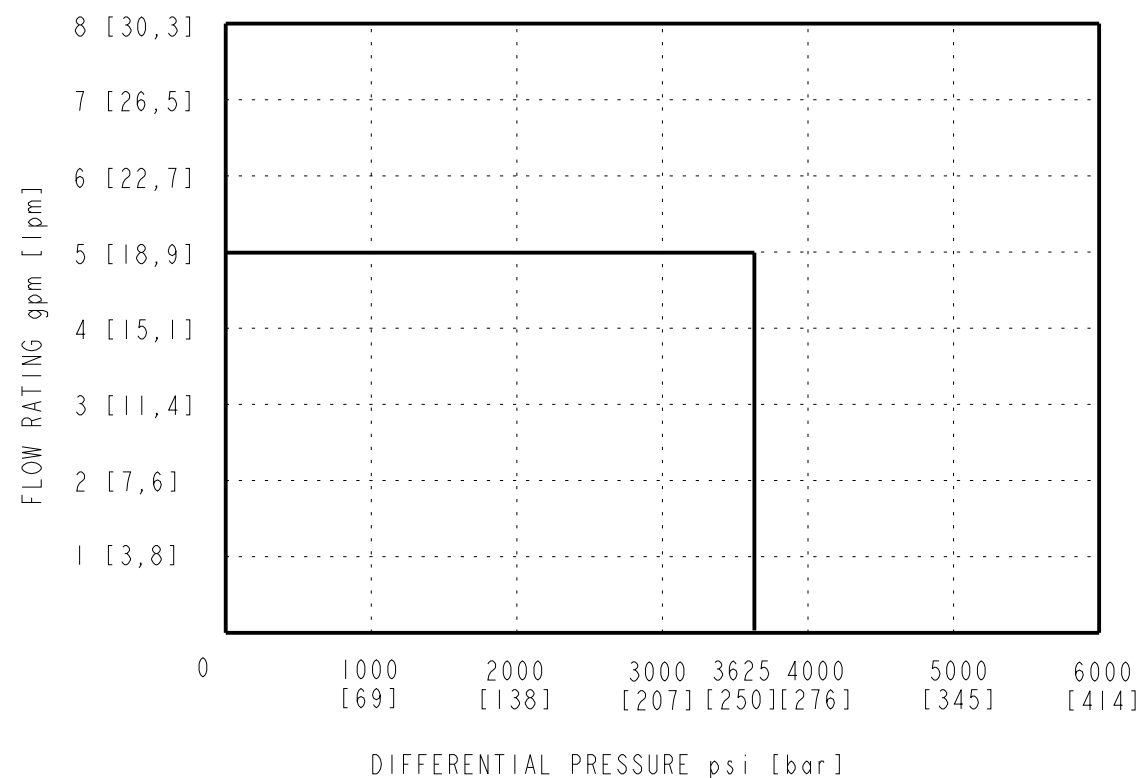
PERFORMANCE



FLOW RATING vs DIFFERENTIAL PRESSURE
PULL IN: 85% OF NOMINAL / DROP OUT: 5% OF NOMINAL.
INLET AT PORT 2 & TANK AT PORT 1



FLOW RATING vs DIFFERENTIAL PRESSURE
PULL IN: 85% OF NOMINAL / DROP OUT: 5% OF NOMINAL.
INLET AT PORT 1 & TANK AT PORT 2



(REFERENCE ALL SHEETS)

THIRD ANGLE PROJECTION	
SCALE: --- -	DESCRIPTION SOLENOID CARTRIDGE VALVE 2 PORT, NORMALLY CLOSED BIDIRECTIONAL BLOCKING
THIS INFORMATION HEREON IS THE PROPERTY OF HYDRAFORCE INC. AND/OR ITS SUBSIDIARIES AND IS LOANED SUBJECT TO RETURN UPON DEMAND. IT IS NOT TO BE REPRODUCED OR USED DIRECTLY OR INDIRECTLY IN ANY WAY DETRIMENTAL TO THE INTERESTS OF HYDRAFORCE	DRAWING NUMBER SV08-28XX-0-X-XXXX
	REV 4 ECN 0056163 BY CM2 DATE 29SEP2021